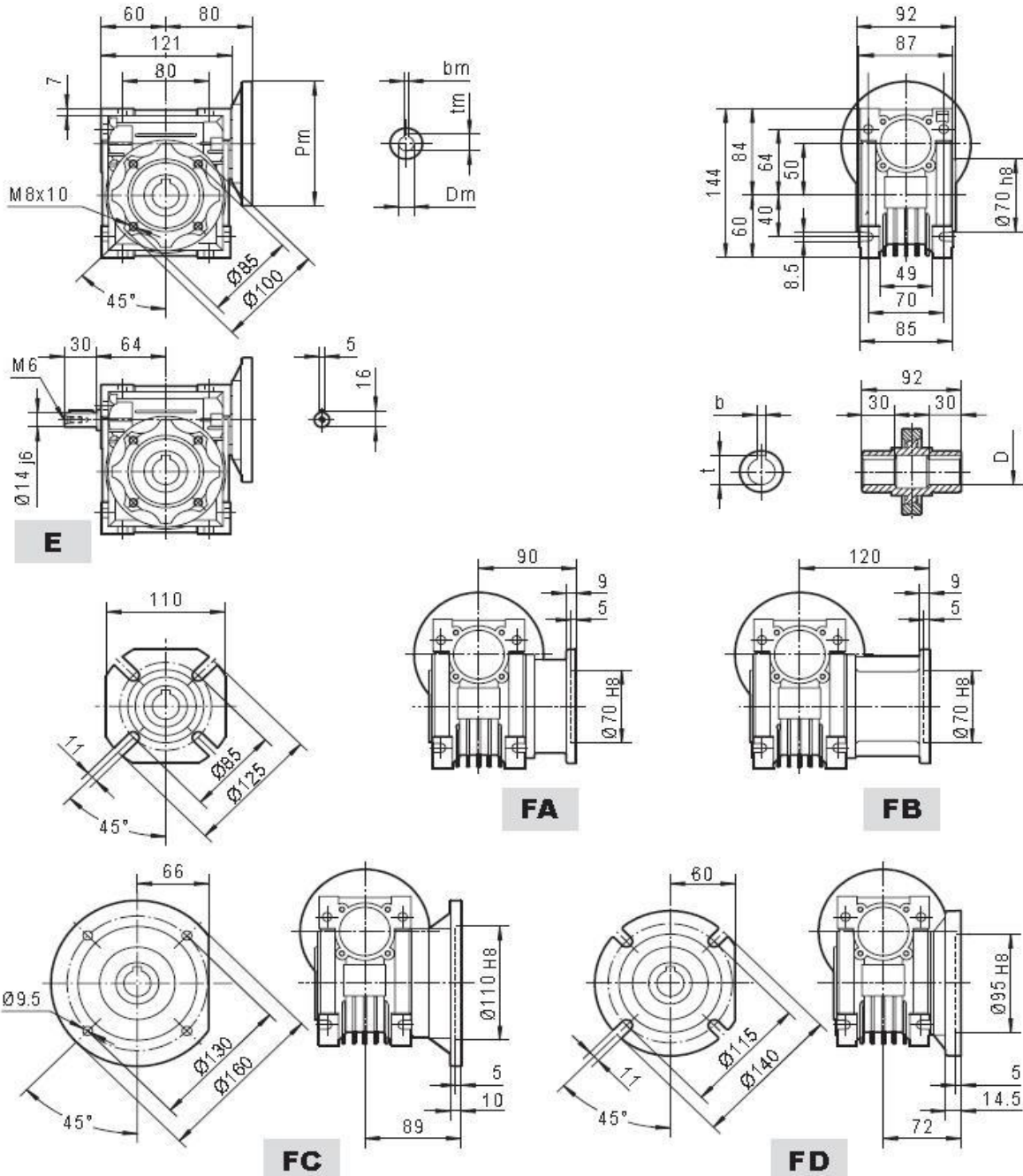




Worm Gear Units

TCNDK50



PAM IEC	Pm	Dm	bm	tm	D H8	b	t
80B5	200	19	6	21.8	25	8	28.3
71B5	160	14	5	16.3	24*	8	27.3
61B5	140	11**	4	12.8			
80B14	120	19	6	21.8	* Only on request ** Requires reducing sleeve		
71B14	105	14	5	16.3			

Weight without motor = 3.5 Kg